

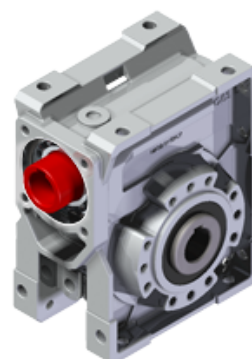
BQ13FB06C0-MB3-

Price

Lead time

Configuration

Type:	B
Size:	Q13
Input:	Metric
Output shaft/bore:	Standard ø45
Mounting:	FB
Mounting position:	B3
Input bore:	-
Coupling:	-



Technical data

Input rpm (n_1):	n.a. min⁻¹
Output rpm (n_2):	n.a. min⁻¹
Ratio (i):	30.00
Nominal power (P_{1R}):	6.40 kW
Nominal torque (M_{2R}):	1047 Nm
Dynamic efficiency (RD):	80%

Selection

Motor power (P_{1M}):	n.a.
Output torque (M_{2M}):	n.a.
Service factor (f.s.):	n.a.

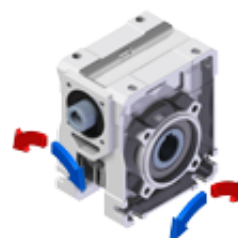
Lubrication

Oil quantity:	4.50l
AGIP:	Blasia 460

On our website

Features	Irreversibility
How to order	Thermal limit
Dimension	Atex certification
Accessories/options	Installation check list
Electric motors	Spare parts list
Selection guide - fs	Complete catalogue
Mounting pos. - lubricant	Selection by power (xls)
Calc. the overhung load	

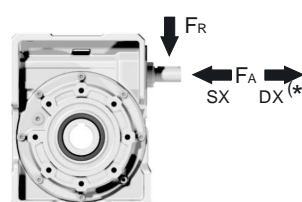
Direction of rotation



Note

Axial and radial loads

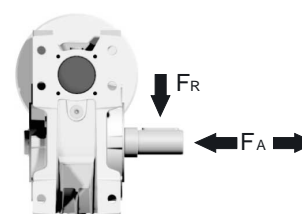
Input shaft



n_2 (min ⁻¹)	FA (N)	FR (N)
1400	300	1500

*Strong axial loads in the DX direction are not allowed

Output shaft



n_2 (min ⁻¹)	FA (N)	FR (N)
200	960	4800
150	1100	5500
100	1240	6200
75	1380	6900
50	1560	7800
25	2000	10000
15	2400	12000

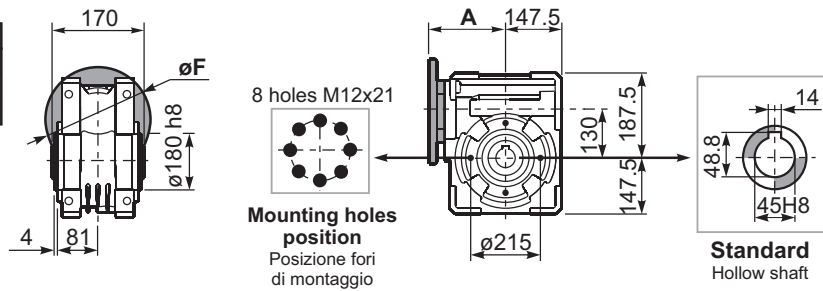
Square - Gear
1050Nm **Q13**

3D dimensions on the Web

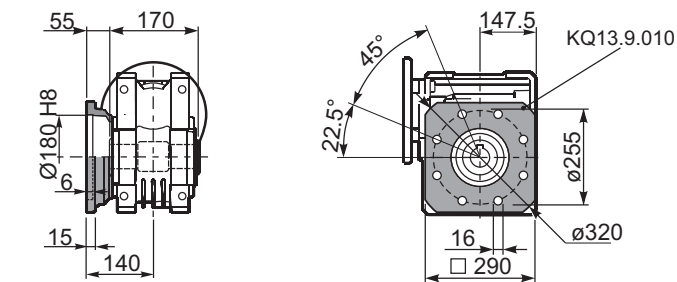
PQ13**FB**... Basic wormbox
Riduttore base

Gearbox weight
peso riduttore **48.0 kg**

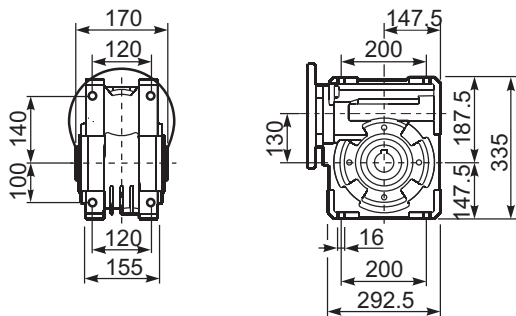
M. flanges	Kit code	øF	A
90B5	KQ13.4.041	200	180
100/112B5	KQ13.4.042	250	180
132B5	KQ13.4.043	300	180



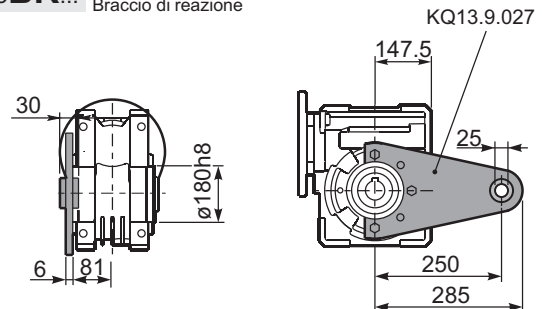
PQ13**FC**... Square flange
Flangia quadrata



PQ13**FB**... Feet
Piedini

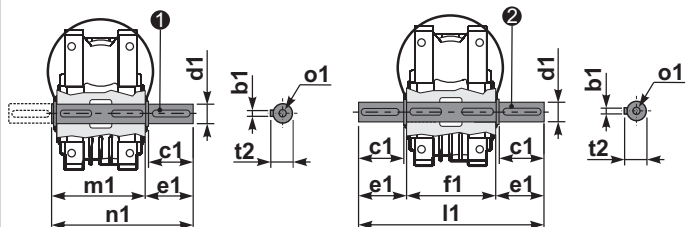


PQ13**BR**... Reaction arm
Braccio di reazione



PQ13.....**S**... Single Shaft
Albero lento semplice

PQ13.....**D**... Double Shaft
Albero lento bisp.



① kit cod. KQ13.5.028 type B

② kit cod. KQ13.5.029 type B

	b1	c1	d1	e1	f1	l1	m1	n1	t2	o1
type	14	80	45 ^{-0.005} _{-0.020}	85	170	340	180	265	48.5	M16
type	-	-	-	-	-	-	-	-	-	-