

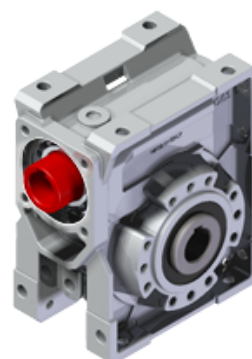
BQ85FB04C0-MB3-

Price

Lead time

Configuration

| | |
|--------------------|---------------------|
| Type: | B |
| Size: | Q85 |
| Input: | Metric |
| Output shaft/bore: | Standard ø35 |
| Mounting: | FB |
| Mounting position: | B3 |
| Input bore: | - |
| Coupling: | - |



Technical data

| | |
|------------------------------|------------------------------|
| Input rpm (n_1): | n.a. min⁻¹ |
| Output rpm (n_2): | n.a. min⁻¹ |
| Ratio (i): | 20.00 |
| Nominal power (P_{1R}): | 2.70 kW / 4.41 HP |
| Nominal torque (M_{2R}): | 294 Nm / 2478 lb in |
| Dynamic efficiency (RD): | 79% |

Selection

| | |
|-----------------------------|-------------|
| Motor power (P_{1M}): | n.a. |
| Output torque (M_{2M}): | n.a. |
| Service factor (f.s.): | n.a. |

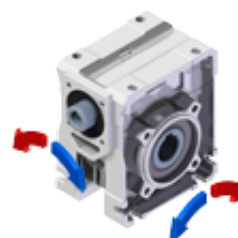
Lubrication

| | |
|---------------|------------------------|
| Oil quantity: | 1.20l |
| AGIP: | Telium VSF 320 |
| SHELL: | Omala S4 WE 320 |

On our website

| | |
|---|--|
| Features | Irreversibility |
| How to order | Thermal limit |
| Dimension | Atex certification |
| Accessories/options | Installation check list |
| Electric motors | Spare parts list |
| Selection guide - fs | Complete catalogue |
| Mounting pos. - lubricant | Selection by power (xls) |
| Calc. the overhung load | |

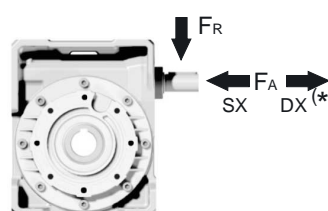
Direction of rotation



Note

Axial and radial loads

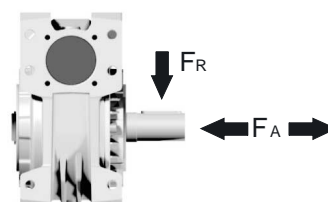
Input shaft



| n_2 (min ⁻¹) | FA (N) | FR (N) |
|-------------------------------|-----------|-----------|
| 1400 | 160 | 809 |

*Strong axial loads in the DX direction are not allowed

Output shaft



| n_2 (min ⁻¹) | FA (N) | FR (N) |
|-------------------------------|-----------|-----------|
| 200 | 500 | 2500 |
| 150 | 580 | 2900 |
| 100 | 600 | 3000 |
| 75 | 700 | 3500 |
| 50 | 800 | 4000 |
| 25 | 1000 | 5000 |
| 15 | 1160 | 5800 |

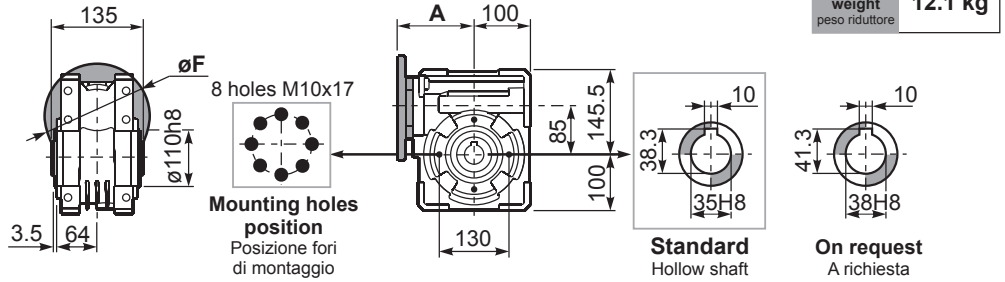
Square - Gear
347Nm **Q85**

3D dimensions on the Web

PQ85**FB**... Basic wormbox
Riduttore base

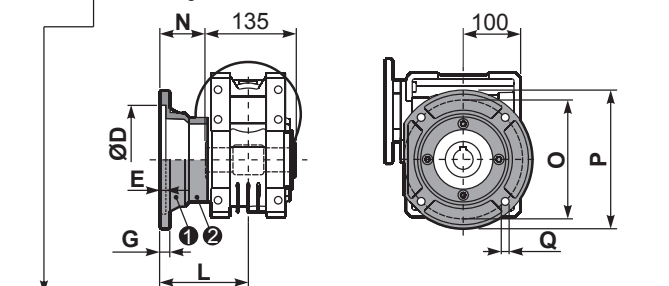
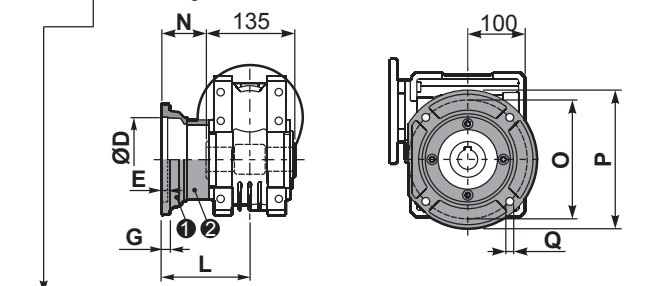
Gearbox weight
peso riduttore **12.1 kg**

| M. flanges | Kit code | øF | A |
|------------|------------|-----|-------|
| 71B5 | K023.4.041 | 160 | 116.5 |
| 80/90B5 | K023.4.042 | 200 | 118.5 |
| 100/112B5 | K023.4.043 | 250 | 127.5 |
| 80B14 | K085.4.046 | 120 | 118.5 |
| 90B14 | K085.4.045 | 140 | 118.5 |
| 100/112B14 | K085.4.047 | 160 | 127.5 |



PQ85**FC**... Output flange
Flangia uscita

PQ85**F1**... Output flange
Flangia uscita

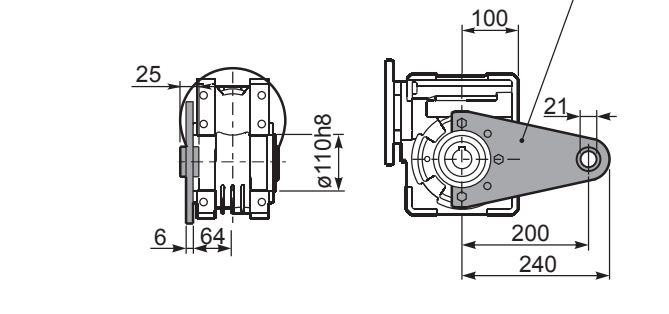
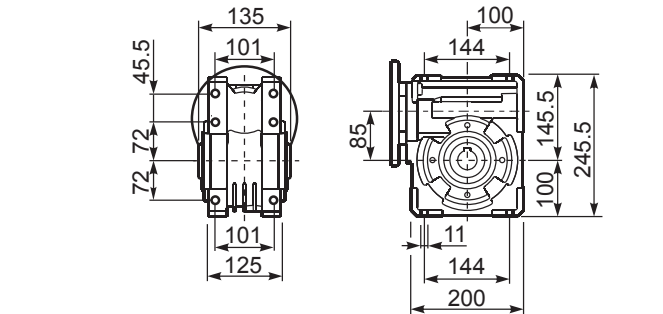


| type B | øD | E | G | L | N | O | P | Q | kit code |
|--------|---|---|----|-------|------|-----|-----|----|------------------------------|
| FC | 152 ^{+0.06} / _{+0.00} | 5 | 16 | 108 | 40.5 | 176 | 205 | 13 | ① K085.9.010 ② - |
| FL | 152 ^{+0.06} / _{+0.00} | 5 | 16 | 148.5 | 81 | 176 | 205 | 13 | ① K085.9.010 ② K085.0.201 |

| type S | øD | E | G | L | N | O | P | Q | kit code |
|--------|---|---|----|-------|----|-----|-----|------|----------------------|
| F1 | 130 H7 | 5 | 13 | 117.5 | 50 | 165 | 200 | 11.5 | ① KS085.9.012 ② - |
| F2 | 152 ^{+0.06} / _{+0.00} | 5 | 15 | 147.5 | 80 | 180 | 205 | 12.5 | ① KS085.9.013 ② - |
| F4 | 130 H7 | 5 | 13 | 106.5 | 39 | 165 | 200 | 13 | ① KS085.9.015 ② - |

PQ85**FB**... Feet
Piedini

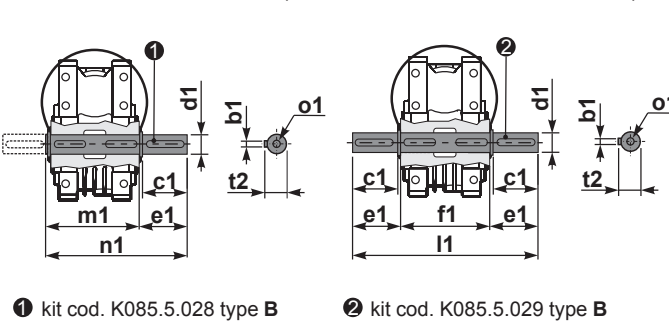
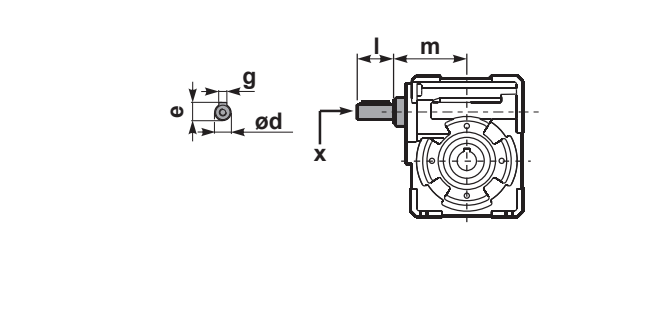
PQ85**BR**... Reaction arm
Braccio di reazione



RQ85**FB**... Input shaft
Albero in entrata

PQ85.....**S**... Single Shaft
Albero lento semplice

PQ85.....**D**... Double Shaft
Albero lento bisp.



| | ød | e | g | l | m | x | kit code |
|--------|-------|----|---|----|-----|-------|---|
| type B | 25 h6 | 28 | 8 | 50 | 112 | M8x20 | ① K085.5.007 PAM90 ② K085.5.008 PAM100 |
| type S | 24 h6 | 27 | 8 | 50 | 112 | M8x20 | ① KS085.5.009 PAM90 ② KS085.5.011 PAM100 |

| | b1 | c1 | d1 | e1 | f1 | l1 | m1 | n1 | t2 | o1 |
|--------|----|----|--|------|-----|-----|-----|-------|----|--------|
| type B | 10 | 60 | 35 ^{-0.005} / _{+0.020} | 73.5 | 135 | 282 | 141 | 214.5 | 38 | M10x23 |
| type S | - | - | - | - | - | - | - | - | - | - |