

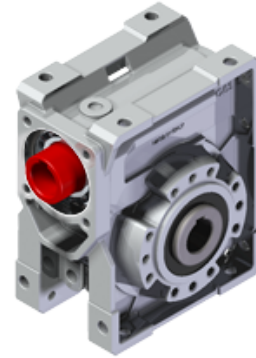
# BQ75FB03C0-MB3-

Price

Lead time

## Configuration

Type:	<b>B</b>
Size:	<b>Q75</b>
Input:	<b>Metric</b>
Output shaft/bore:	<b>Standard ø30</b>
Mounting:	<b>FB</b>
Mounting position:	<b>B3</b>
Input bore:	-
Coupling:	-



## Technical data

Input rpm ( $n_1$ ):	<b>n.a. <math>\text{min}^{-1}</math></b>
Output rpm ( $n_2$ ):	<b>n.a. <math>\text{min}^{-1}</math></b>
Ratio (i):	<b>15.00</b>
Nominal power ( $P_{1R}$ ):	<b>2.90 kW</b>
Nominal torque ( $M_{2R}$ ):	<b>250 Nm</b>
Dynamic efficiency (RD):	<b>85%</b>

## Selection

Motor power ( $P_{1M}$ ):	<b>n.a.</b>
Output torque ( $M_{2M}$ ):	<b>n.a.</b>
Service factor (f.s.):	<b>n.a.</b>

## Lubrication

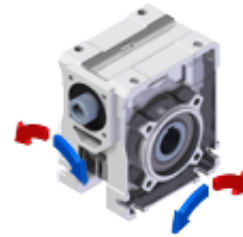
Oil quantity:	<b>0.40l</b>
AGIP:	<b>Telium VSF 320</b>
SHELL:	<b>Omala S4 WE 320</b>

## On our website

<a href="#">Features</a> <a href="#">How to order</a> <a href="#">Dimension</a> <a href="#">Accessories/options</a> <a href="#">Electric motors</a> <a href="#">Selection guide - fs</a> <a href="#">Mounting pos. - lubricant</a> <a href="#">Calc. the overhung load</a>	<a href="#">Irreversibility</a> <a href="#">Thermal limit</a> <a href="#">Atex certification</a> <a href="#">Installation check list</a> <a href="#">Spare parts list</a> <a href="#">Complete catalogue</a> <a href="#">Selection by power (xls)</a>
---	---

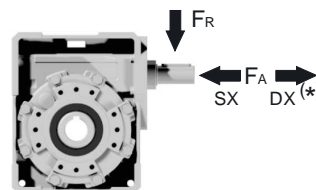
## Note

## Direction of rotation



## Axial and radial loads

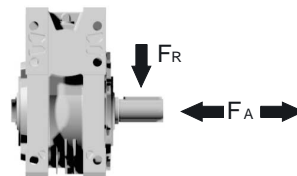
Input shaft



$n_2$ ( $\text{min}^{-1}$ )	$F_A$ (N)	$F_R$ (N)
<b>1400</b>	125	630

\*Strong axial loads in the DX direction are not allowed

Output shaft



$n_2$ ( $\text{min}^{-1}$ )	$F_A$ (N)	$F_R$ (N)
<b>200</b>	460	2300
<b>150</b>	520	2600
<b>100</b>	560	2800
<b>75</b>	620	3100
<b>50</b>	720	3600
<b>25</b>	880	4400
<b>15</b>	1000	5000

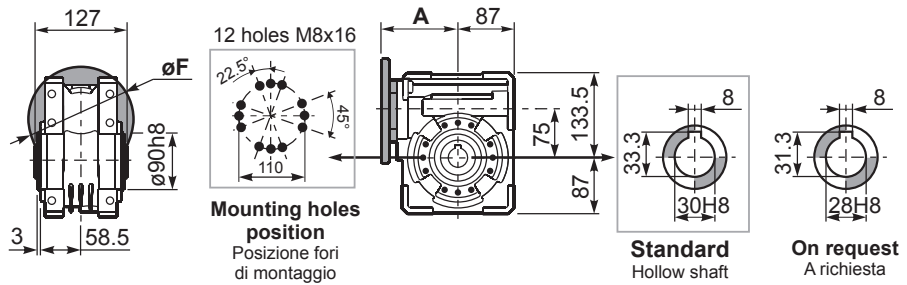
Square - Gear  
270Nm **Q75**

3D dimensions on the Web

**PQ75FB...** Basic wormbox  
Riduttore base

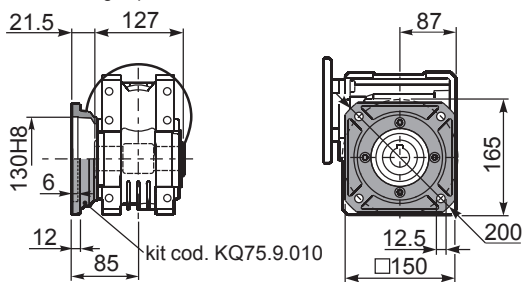
Gearbox weight  
peso riduttore **8.70 kg**

M. flanges	Kit code	øF	A
<b>71B5</b>	K023.4.041	160	114
<b>80/90B5</b>	K023.4.042	200	116
<b>100/112B5</b>	K023.4.043	250	125
<b>80B14</b>	K085.4.046	120	116
<b>90B14</b>	K085.4.045	140	116
<b>100/112B14</b>	K085.4.047	160	125

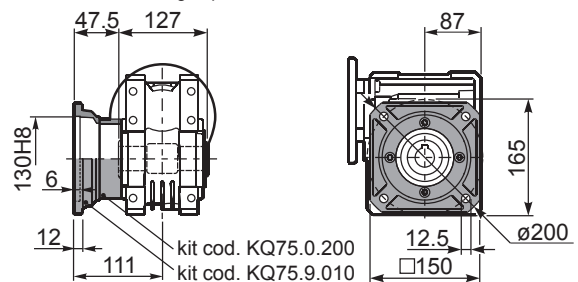


2

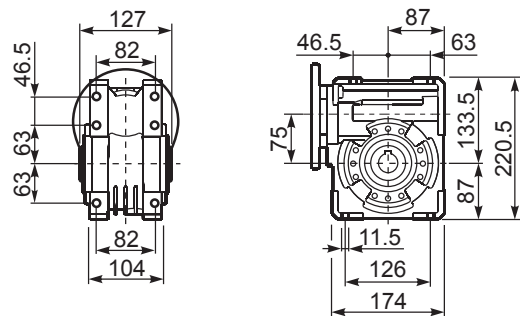
**PQ75FC...** Square flange  
Flangia quadrata



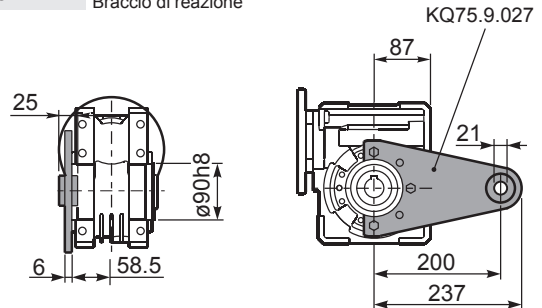
**PQ75FL...** Square flange  
Flangia quadrata



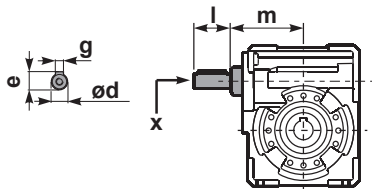
**PQ75FB...** Feet  
Piedini



**PQ75BR...** Reaction arm  
Braccio di reazione

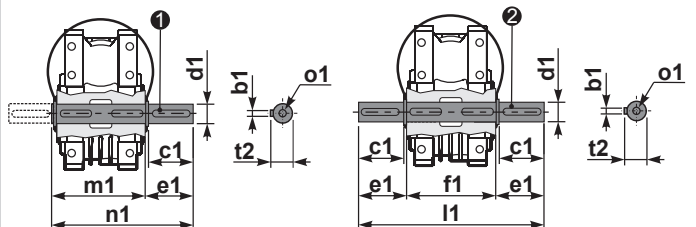


**RQ75FB...** Input shaft  
Albero in entrata



**PQ75...S...** Single Shaft  
Albero lento semplice

**PQ75...D...** Double Shaft  
Albero lento bisp.



① kit cod. KQ75.5.028 Standard kit cod. KQ75.5.026 On request  
② kit cod. KQ75.5.029 Standard kit cod. KQ75.5.027 On request

	ød	e	g	l	m	x	kit code
type B	25 h6	27.8	8	50	109.5	M8x20	KQ75.5.006 PAM80 K085.5.007 PAM90 K085.5.008 PAM100

	b1	c1	d1	e1	f1	l1	m1	n1	t2	o1
Standard	8	60	30 <sup>-0.005/-0.020</sup>	65	127	255	134	199	33	M8x20
On request	8	60	28 <sup>-0.005/-0.020</sup>	65	127	255	134	199	31	M8x20